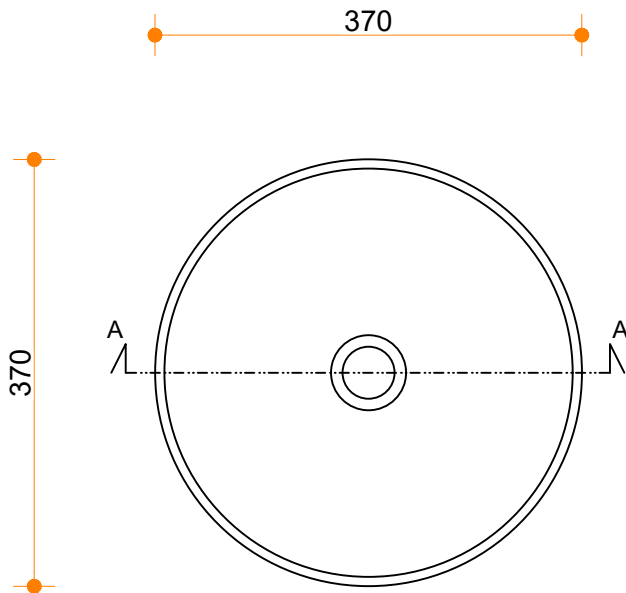
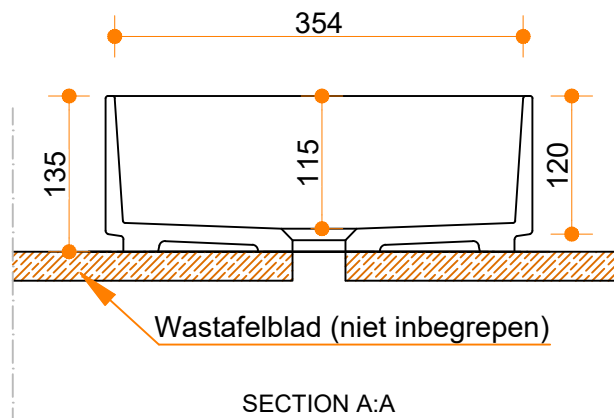


# Thin Round



PLAN VIEW



SECTION A:A