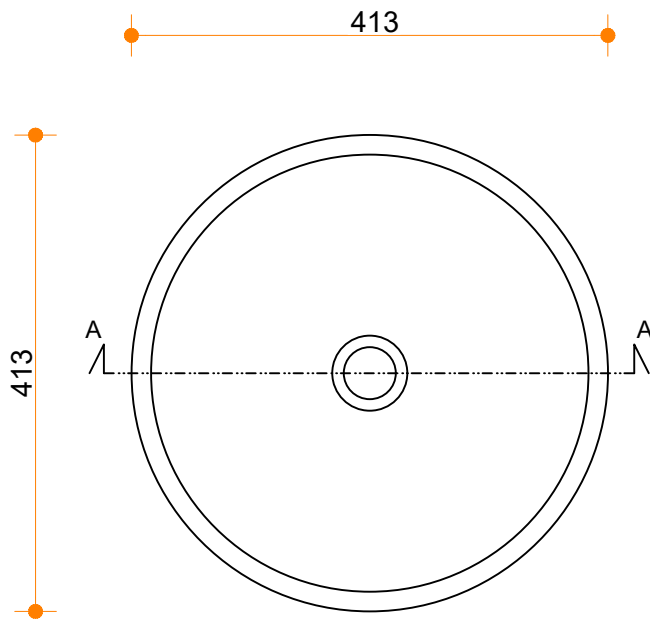


Thick Round



PLAN VIEW

