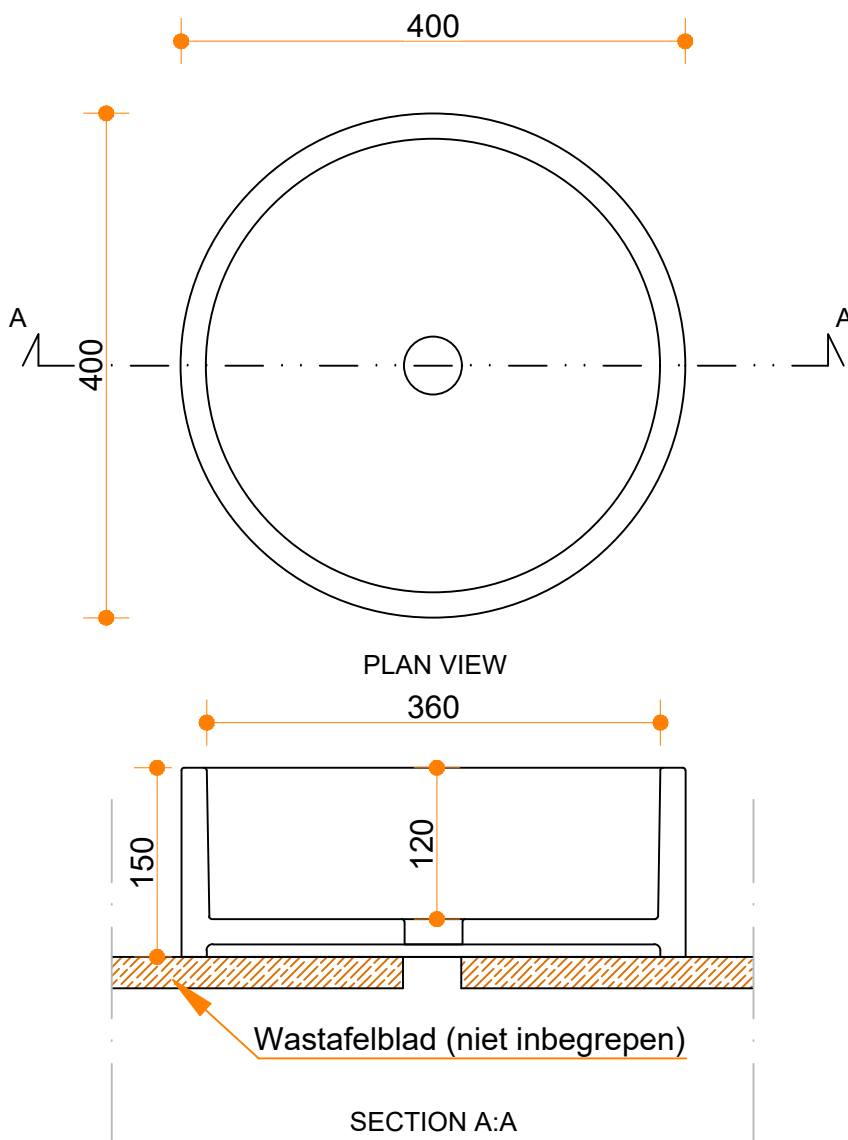


# Swift Round



**Solidz**  
SOLID SURFACE