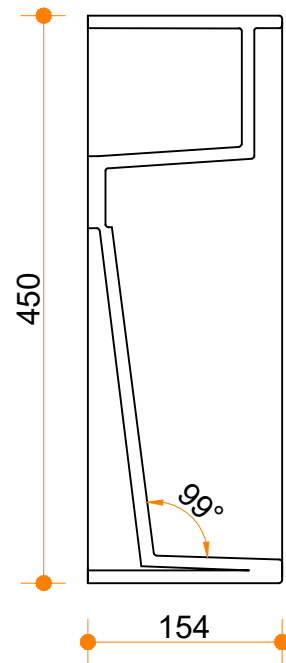
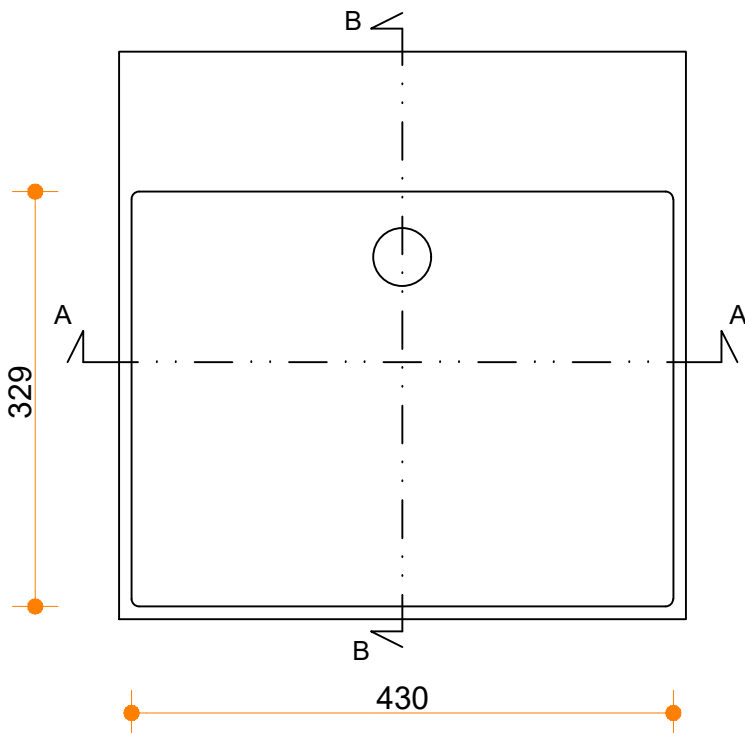
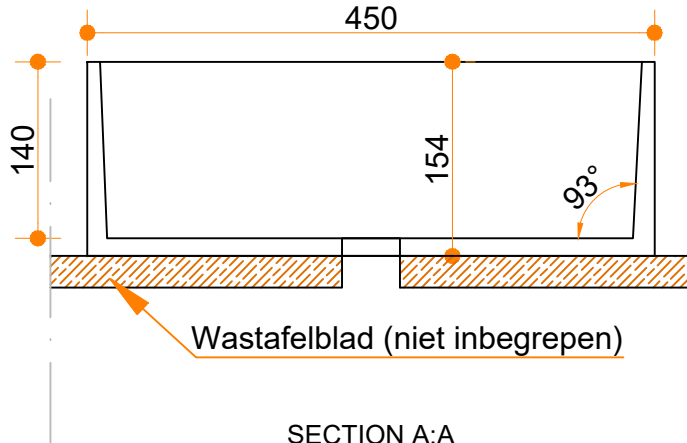


Royal Medium



PLAN VIEW
450

SECTION B:B



SECTION A:A

Solidz
SOLID SURFACE